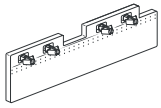
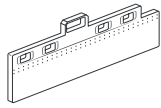


## ALLUSION BLINDS FITTING INSTRUCTIONS

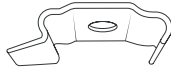
### FITTING COMPONENTS



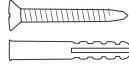
Male Clip



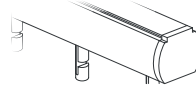
Female Clip



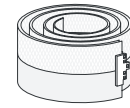
Fixing brackets: quantity to suit length of blind



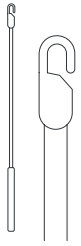
Screws: 4+  
Rawl plugs: 4+



Headrail



Louvres



Wands

### FITTING HARDWARE



Drill



Philips head screwdriver



Step ladder



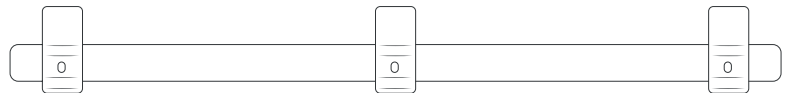
Drill bit



Pencil

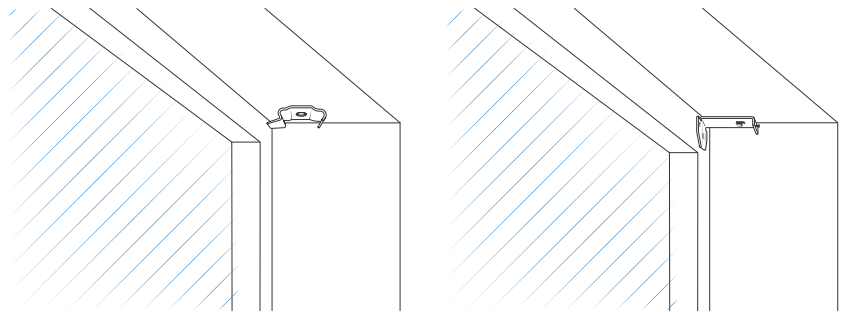
### 1 BRACKET POSITION

The brackets should be located to allow for the depth of the louvres on the blind to tilt and attached to the ceiling or window frame, clear from obstruction and in line with each other. Fix brackets approximately 40mm from each end of the blind. Intermediate brackets should be spaced evenly between these.



### 2 INSTALLING THE BRACKETS

Mark the bracket hole positions before drilling and plugging. Use two screws for a face fit bracket and one screw in a top fix bracket ensuring the brackets are level. Remember to allow room for the blind to clear any obstacles such as door or window handles when deployed.

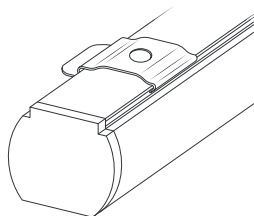
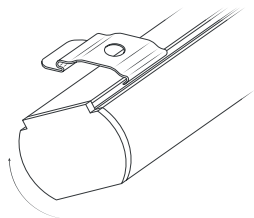


### 3 FITTING THE TRACK

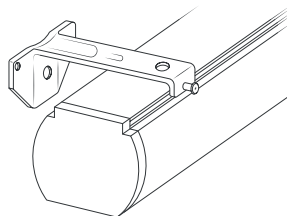
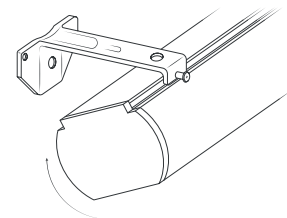
The track should be fitted into the brackets.

- **Face fixing:** locate the blind with the grove on the back of the track and fit it into the middle lip of bracket. Push the blind upwards until the track is sitting level on the bracket before tightening securing screws from the front of blind. To avoid damaging the track do not overtighten these screws.
- **Top fixing:** Push the track upwards then tilt away from you to locate the spring bracket front lip into the front groove on the track. Push upward and the track will click into place.

Top fixing



Face fixing



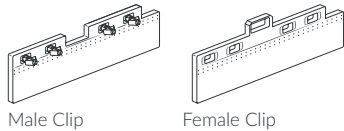
## ATTACH LOUVRES TO TRACK

Turn the hooks on the carriers of the track so that the slots are at 90 degrees to the track.

Attach a male clip to the first female clip with fabric and hang this onto the end of the carrier.

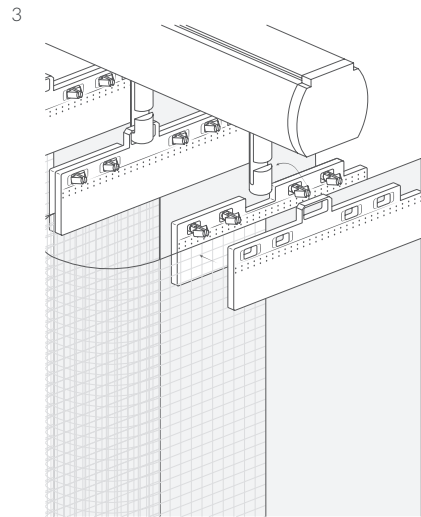
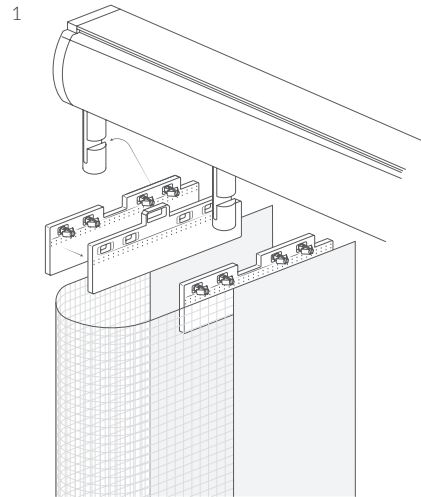
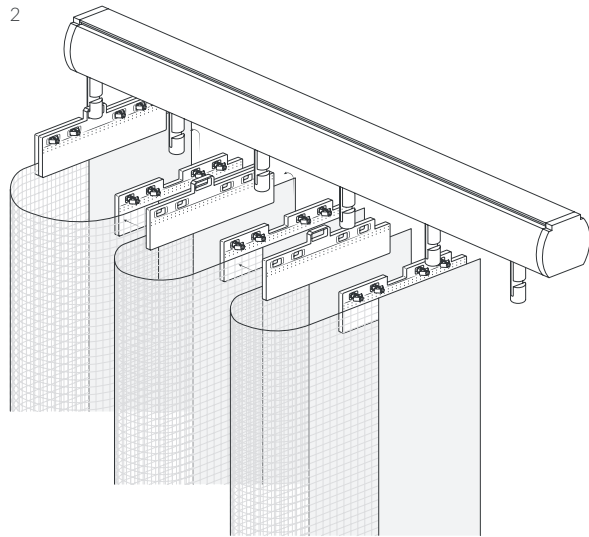
Fit the other half of the louvre onto the next carrier  
Take the next louvre and snap fix the male clip to the female clip on the track.

Repeat until you get to the last carrier/louvre. Fix a female clip onto the last louvre and fasten to the track



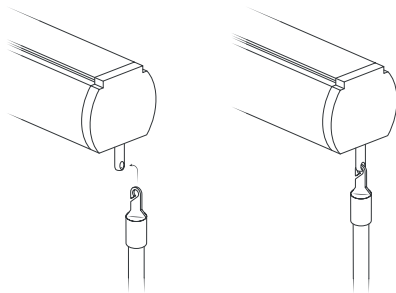
Male Clip

Female Clip



## ATTACHING THE WANDS

Each wand should be hooked to the ends of the louvre track once final louvre has been hung



## OPERATING YOUR BLIND

To open and close the blinds grip the wand and slide the louvres across the track.

To darken the blind twist the wand 90 degrees to rotate the louvres. Rotate the wand in the opposite direction to change opacity to sheer.

**Note:** Only open blinds when in sheer opacity

