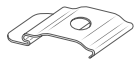


BLINDS DIRECT

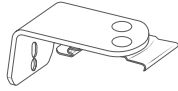
DEFINED BY QUALITY

DESIGNER DOUBLE ROLLER BLIND FITTING INSTRUCTIONS

FITTING COMPONENTS



Top Mount Bracket



Face Mount Bracket



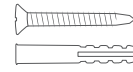
Designer End Caps x2



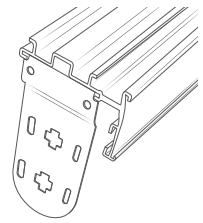
P-Clip



Chain joining connector



Screws: 5+
Rawl plugs: 5+



Roller blind
(will be packaged in shrink wrap)

FITTING HARDWARE



Metal tape measure



Drill



Philips head screwdriver



Stepladder



Drill bit



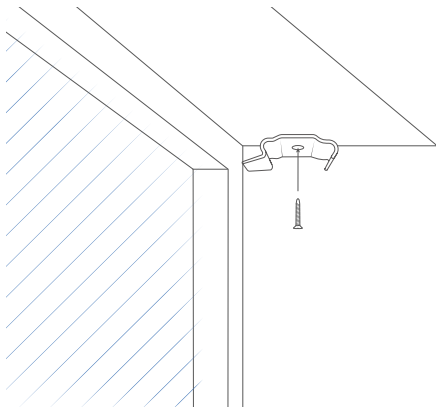
Pencil

WARNING

Do not free the roller blind with a knife or any object that may cause damage to the fabric.

1

POSITIONING BRACKETS

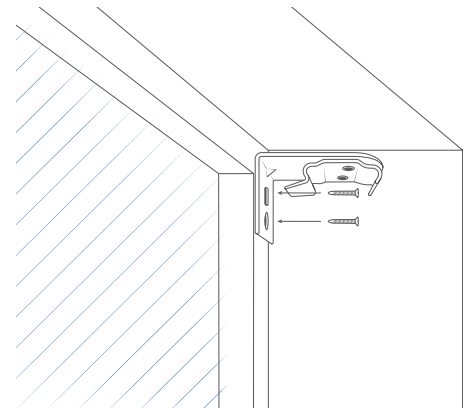


TOP MOUNT

Top mounting to an overhead surface such as the top of the window recess or the ceiling.

Choose how to mount the brackets.

Select the method of mounting that is most suitable for you.



FACE MOUNT

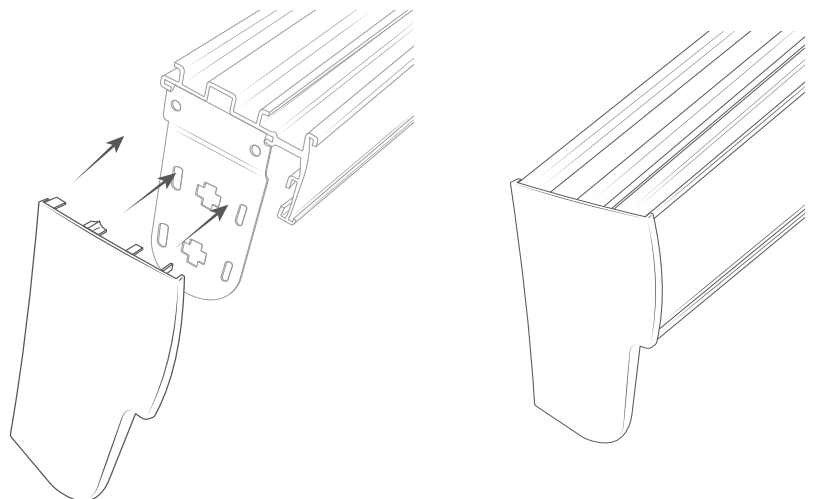
Face mounting to the face of outside the window frame.

2

ATTACHING THE END CAPS

Position the end caps with the decorative side facing forward. There is a left and right side, but they will only fit in the correct side.

Simply line up the tabs on the top of the end cap with the corresponding holes on the headrail and push in until flush.

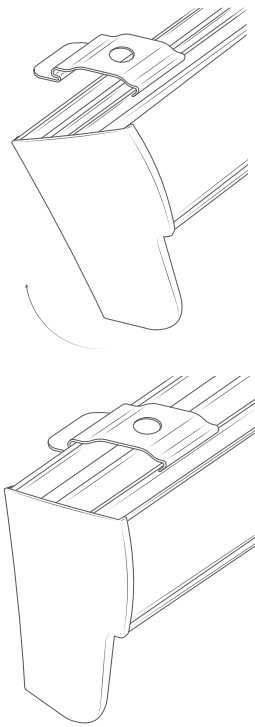


3

FITTING THE HEADRAIL TO THE BRACKETS

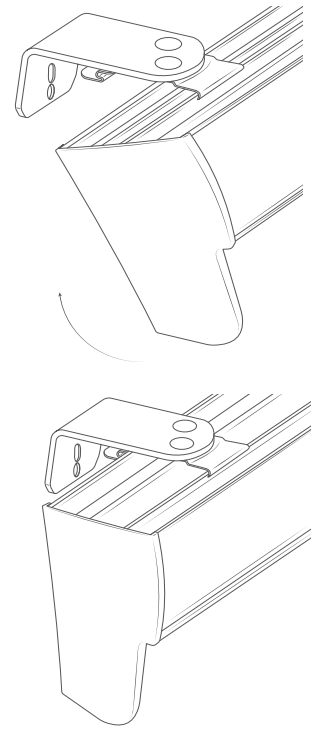
TOP MOUNT

Hook the front of the mount onto the headrail (as shown below) and then push the back of the headrail towards the backside of the mount to be flush with the window frame. If done correctly you will hear the headrail snap into place.



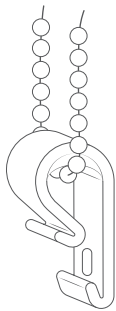
FACE MOUNT

Hook the front of the mount onto the headrail (as shown below) and then push the back of the headrail towards the backside of the mount to be flush with the window frame. If done correctly you will hear the headrail snap into place.



4

OPERATING YOUR BLIND



* Once installed, use the operating chain at the side to raise and lower your blind.

P-CLIP

The device must be installed at maximum distance possible from the control mechanism to prevent the looped cord/chain from becoming slack.

1. Ensure the control chain is inside the P-Clip.
2. Ensure the chain is taut and that the P-Clip is at the bottom of the loop and that the chains are able to manoeuvre properly.
3. Screw the tensioning device to a wall adjacent to the blind ensuring that the chain remains taut. The chain will be held permanently taut and under constant tension.



WARNING

Young children can be strangled by loops in pull cords, chains, tapes, and inner cords that operate the product. To avoid strangulation and entanglement, keep cords out of the reach of young children. Cords may become wrapped around a child's neck. Move beds, cots and furniture away from window covering cords. Do not tie cords together. Make sure cords do not twist and create a loop.



The assembly and installation of this product can be completed by non-professionals, in accordance with current trade and safety standards. Please consult a professional if any doubt exists.