



The blind should be installed by a person competent in DIY



FITTING COMPONENTS



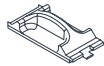
x2 Handles



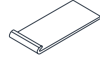
x2 Locking Clip



Allen Key



x1 Multi-tool



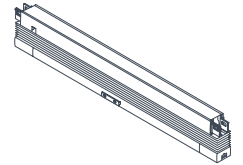
Side Brackets



x1 Wand



x2 Side Guides



Blind



x4 Fixing Brackets



x4 Side Guides Brackets



x2 Locking Cover



x2 Headrail Holder

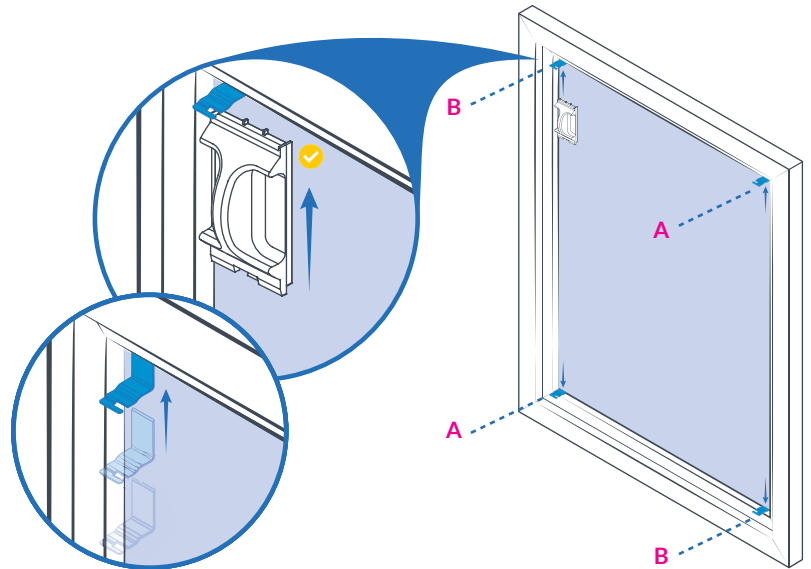
Side brackets qty will vary depending on drop. We will send the correct amount for the blind.

1

Fitting The Brackets

Using the multi-tool, place the beading brackets A & B under the rubber window seal in all corners. The multi-tool helps guide the bracket right into the corners.

A brackets should be placed in the top right and bottom left. B brackets should be placed in the top left and bottom right. [See Image]



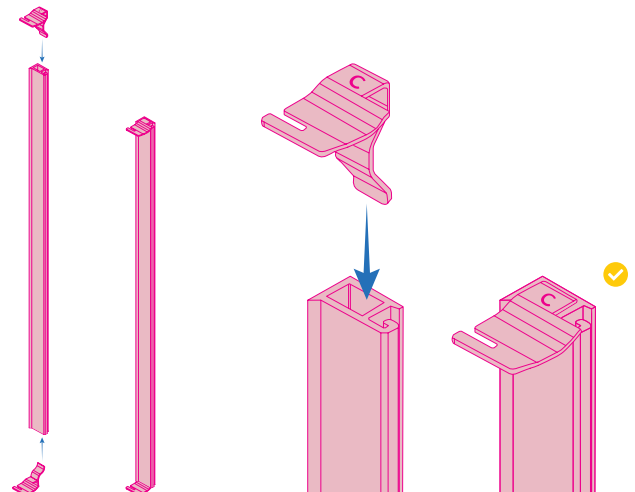
2

Assemble Side Guides

Each side guide can be used on either side of the window.

Get the first side guide and rotate it so that the open edge is facing the centre of the window. This will be your left side guide. Insert a C bracket into the top of the rail, and a D into the bottom of the rail.

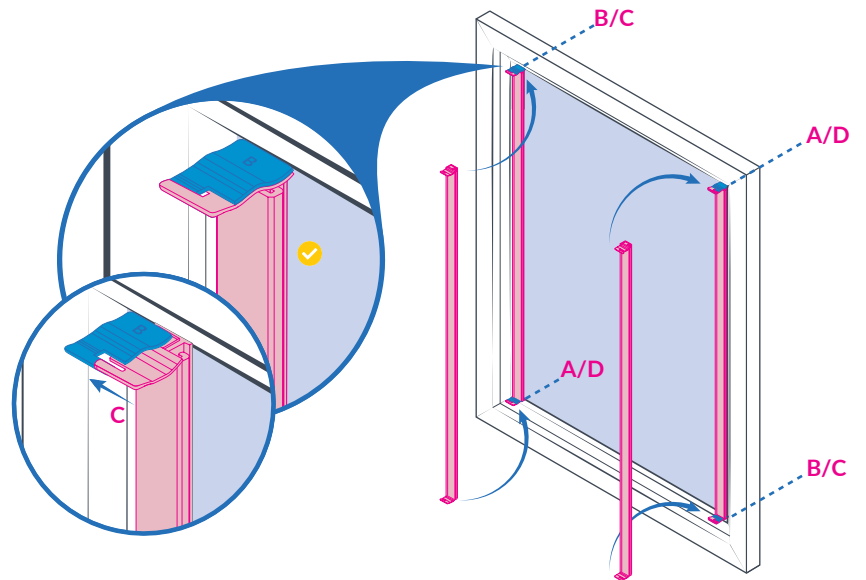
Repeat the process of the right hand side guide. This time, the D bracket goes in the top of the rail, and the C bracket goes in the bottom of the rail.



3

Apply Side Guides

Offer the side channels to the brackets installed in the rubber seals. The brackets should interlock as shown in the image.

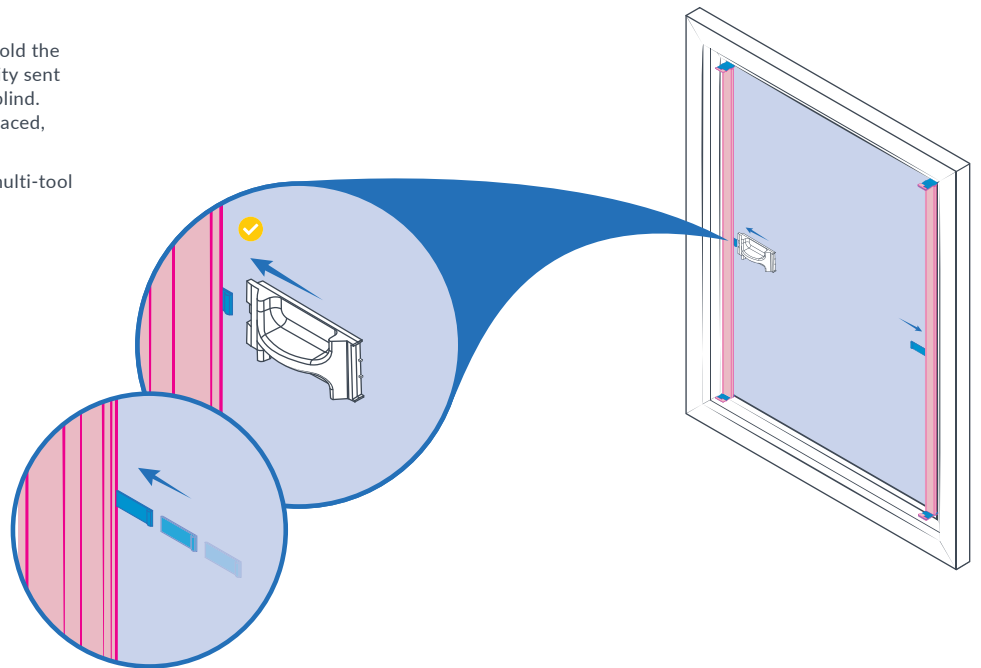


4

Apply Side Guide Clips

We have sent you side brackets to hold the side channel to the glass. The quantity sent will vary based on the drop of your blind. These should be inserted, equally spaced, with an equal amount per side.

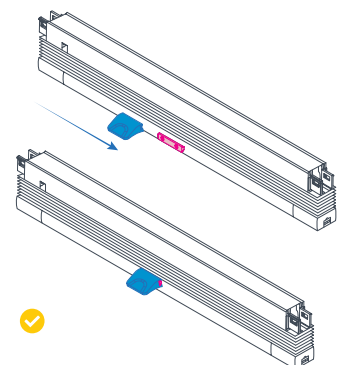
To push the clip into place use the multi-tool as shown.



5

Attaching The Handles

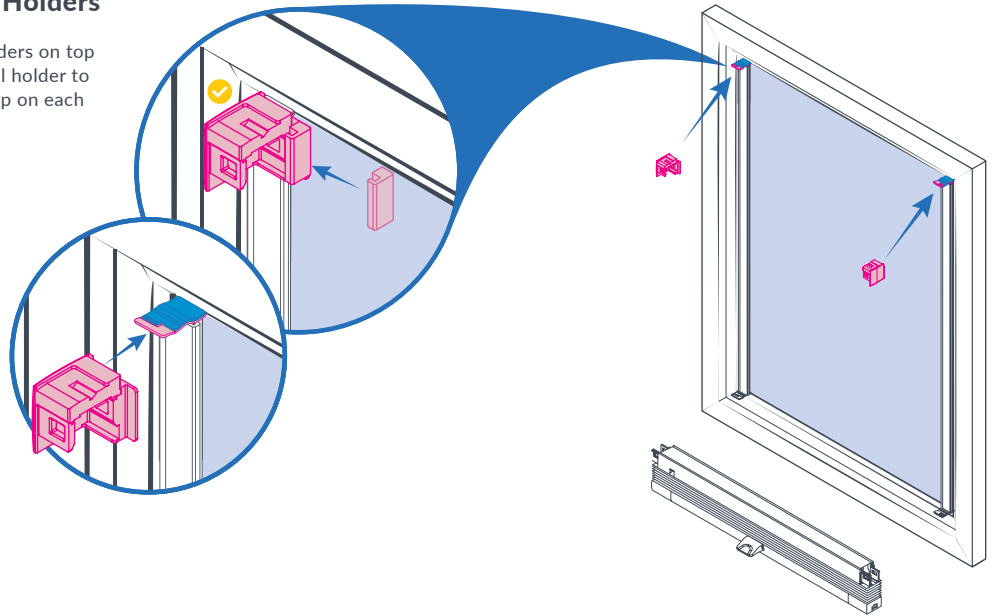
When attaching the handle, push flush with the bottom bar and slide until it has covered the screw block.



6

Attaching The Headrail Holders

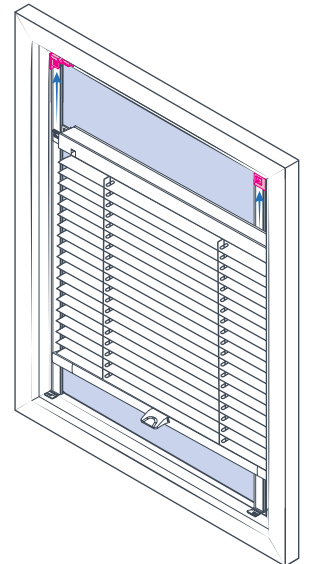
Add top left and right headrail holders on top fixing brackets. Secure the headrail holder to the side guide using the locking clip on each side.



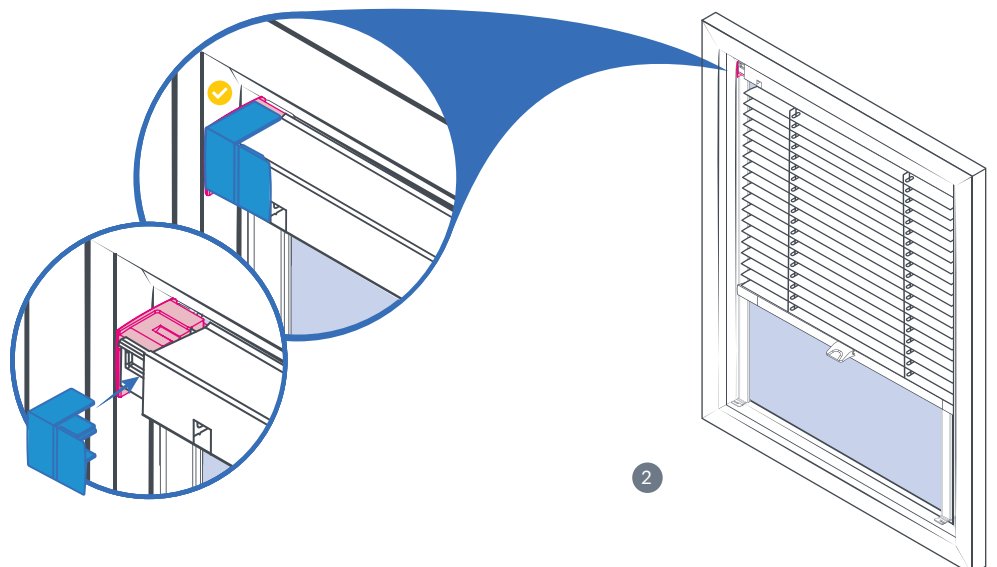
7

Locking The Blind

- 1 Push the blind into the headrail holders from the bottom, until you hear a click on the left and right side.
- 2 Push the locking covers onto both headrail holders from the front as shown.



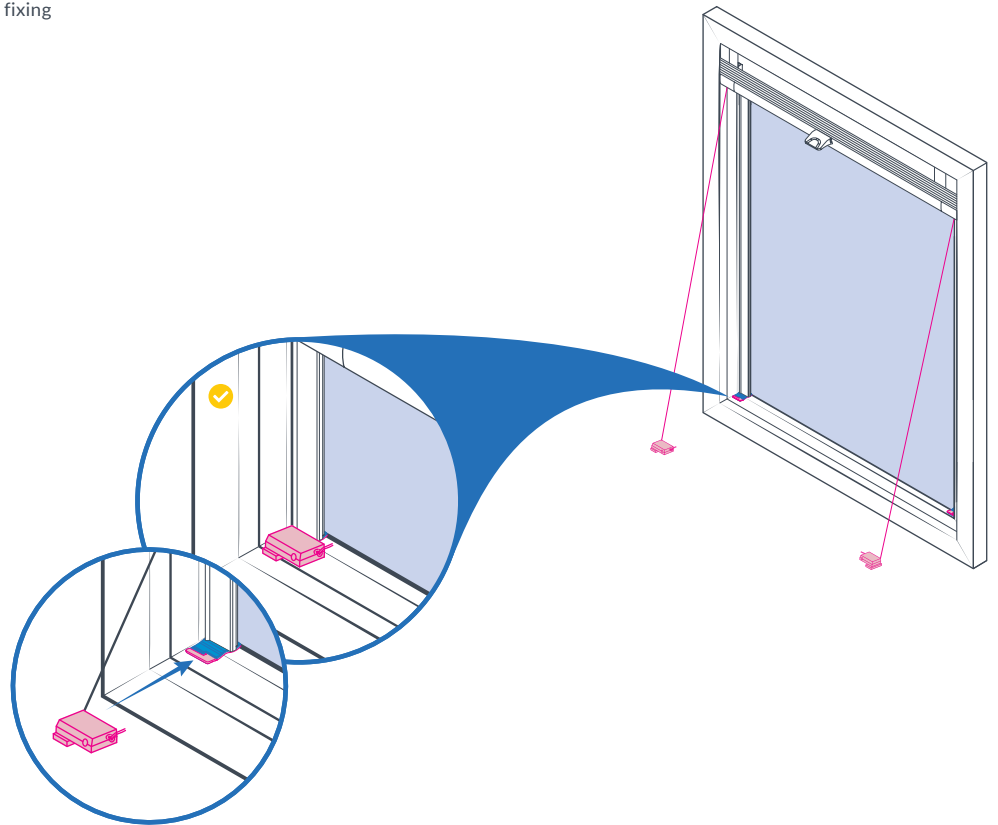
1



2

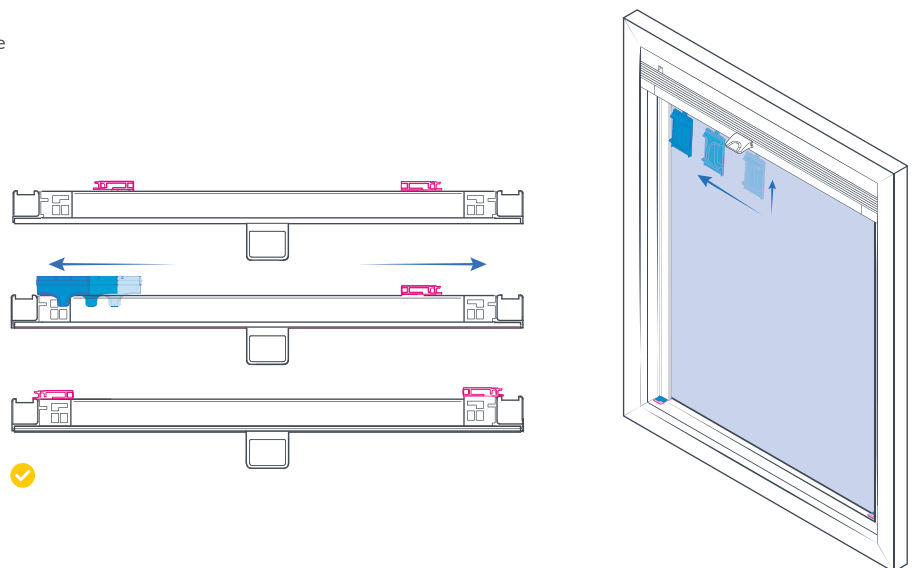
Attaching The Bottom Cord Blocks

Take the bottom left and right cord end caps as shown and place them over the fixing brackets.



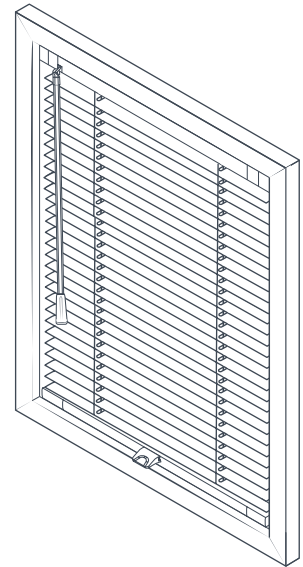
Locking The Blind

Using the multi-tool again, push the step profile end into the side clip behind the bottom bar and push towards the side guide until a click is heard.



Attach The Wand To The Blind

Attach the wand to the tilter. Blind is ready to use.

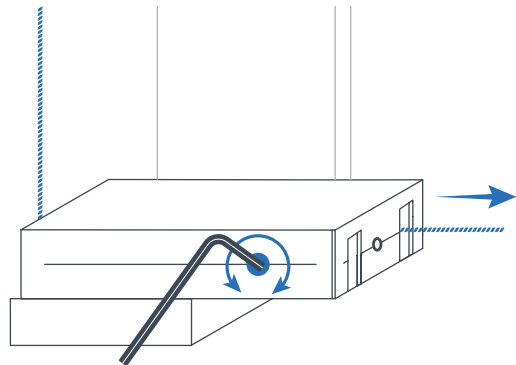


Cord Re-Tensioning

Your blind uses tension to remain fixed in the position you leave it. We have tensioned your blind just right in the factory to its ready to use as soon as you install it.

If you ever need to adjust the tension on your blind, you can use a 1.5mm allen key to loosen the grub screw, which will then allow you to tighten or loosen the tension as required. Be careful you do not let the cord come out of the cord blocks.

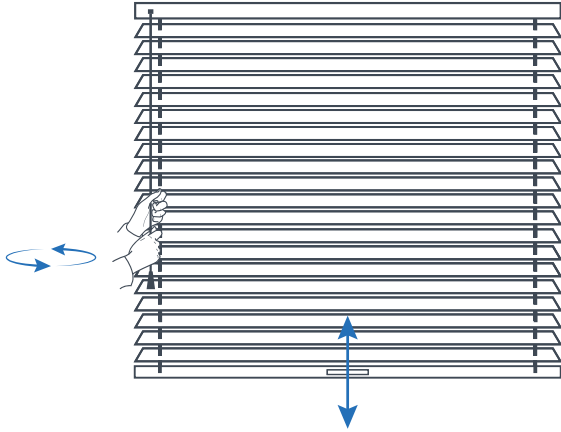
When happy with the adjustments, tighten the grub screw back up. Be careful not to over-tighten as it can snap the cord blocks.



Operating Your Blind

To raise and lower the blind, simply raise and lower the blind to the desired position by firmly holding the handle. Slats need to be opened (horizontally) when raising or lowering the blind.

Note: to adjust the angle of the slats twist the wand.



WARNING

Young children can be strangled by loops in pull cords, chains, tapes, and inner cords that operate the product.

- To avoid strangulation and entanglement, keep cords out of the reach of young children.
- Cords may become wrapped around a child's neck.
- Move beds, cots and furniture away from window covering cords. Do not tie cords together.
- Make sure cords do not twist and create a loop.

The assembly and installation of this product can be completed by non-professionals, in accordance with current trade and safety standards. Please consult a professional if any doubt exists.

