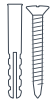
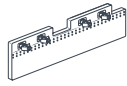




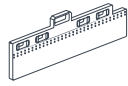
FITTING COMPONENTS



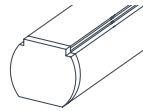
Screws
Rawl Plugs



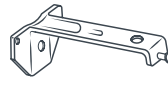
Male Clip



Female Clip



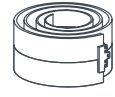
Headrail



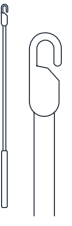
Face Mount Bracket*



Top Mount Bracket*



Louvres



Wands

*Top OR face mount brackets supplied based on purchase selection.



REQUIRED TOOLS



Pencil



Metal tape
measure



Drill



Drill bit



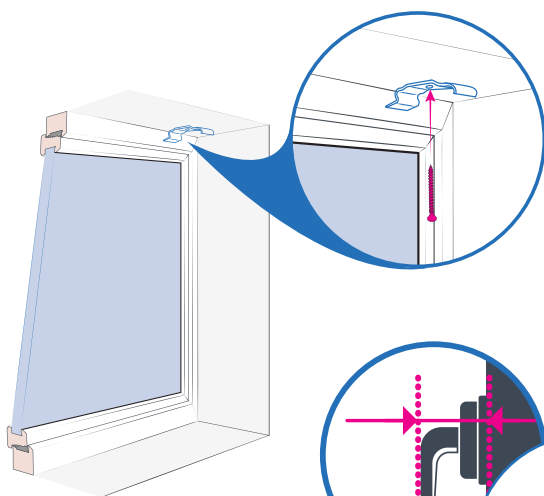
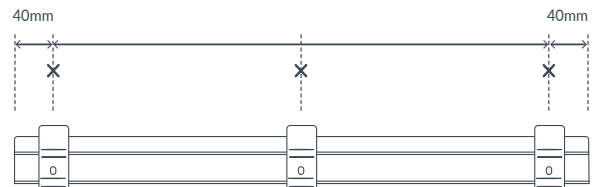
Phillips
screwdriver



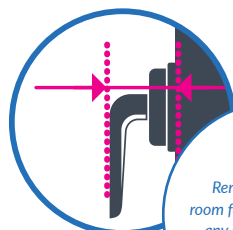
1 Installing The Brackets

We have sent brackets to allow you to top fix or face fix your blind depending on your choice at the time of purchase. When positioning the brackets allow room for the blind to clear any obstacles such as door or window handles when deployed.

Fix brackets approximately 40mm from each end of the blind. Intermediate brackets should then be spaced evenly between these.

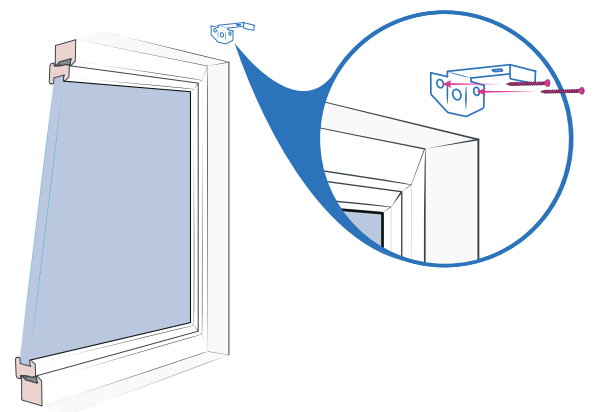


Top Mount Bracket



NOTE

Remember to allow room for the blind to clear any obstacles such as door or window handles when deployed.

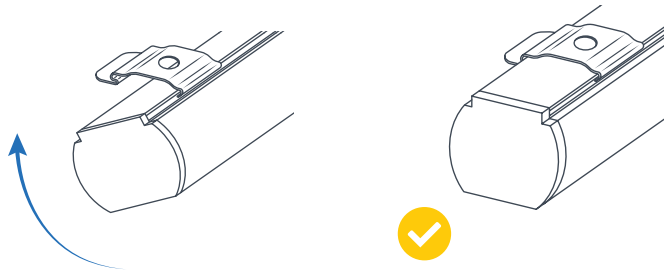


Face Mount Bracket

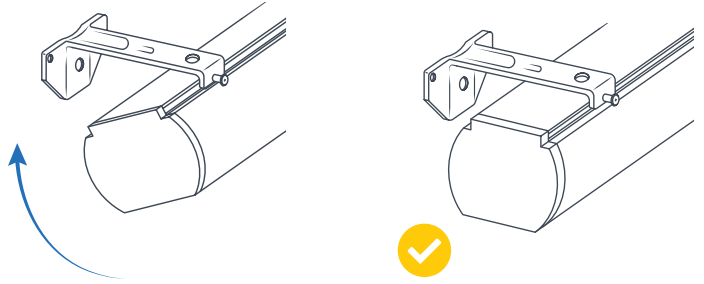
Fitting The Headrail To The Brackets

The track should be fitted into the brackets. Hook the front of the mount onto the headrail (as shown in the illustrations) and then push the back of the mount towards the backside of the headrail to be flush with the window frame.

If done correctly you will hear the headrail snap into place.



Top Mount Bracket

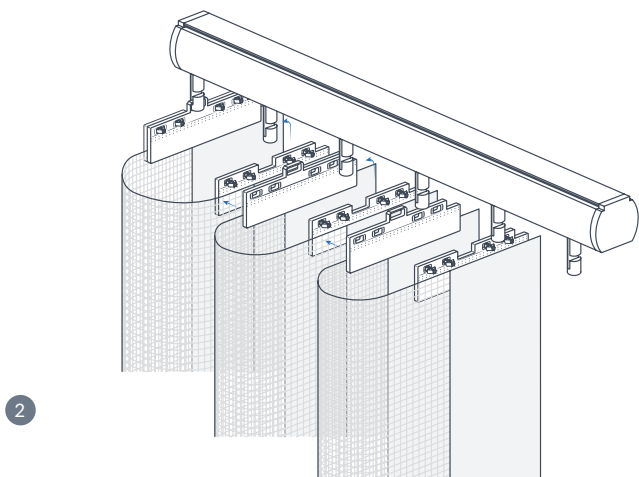
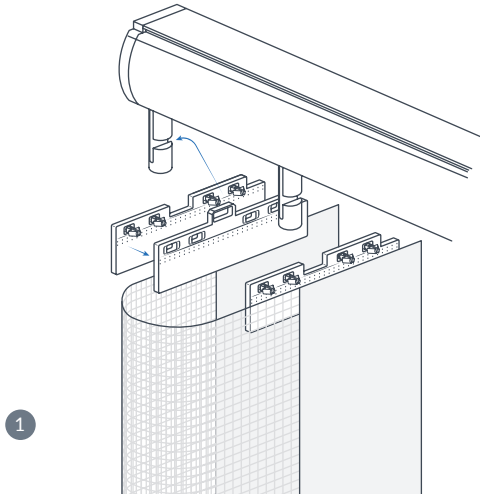


Face Mount Bracket

Attach Louvres To Track

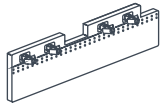
Turn the hooks on the carriers of the track so that the slots are at 90 degrees to the track.

- 1 Attach a male clip to the first female clip with fabric and hang this onto the end of the carrier. Fit the other half of the louvre onto the next carrier.
- 2 Take the next louvre and snap fix the male clip to the female clip on the track.

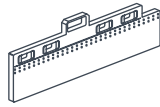


Attach Louvres To Track

- 3 Repeat until you get to the last carrier/louvre. Fix a female clip onto the last louvre and fasten to the track.

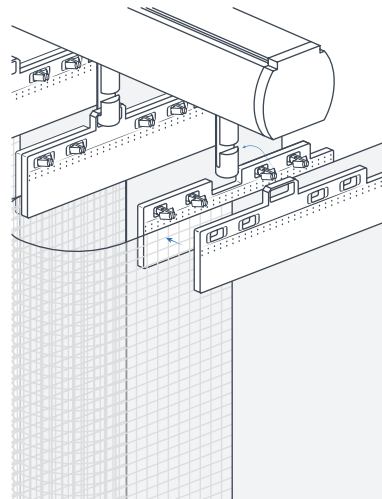


Male Clip



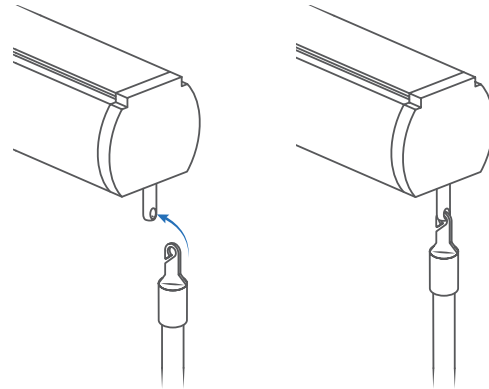
Female Clip

3



Attaching The Wands

Each wand should be hooked to the ends of the louvre track once final louvre has been hung.



Operating Your Blind

To open and close the blinds grip the wand and slide the louvres across the track.

To darken the blind twist the wand 90 degrees to rotate the louvres. Rotate the wand in the opposite direction to change opacity to sheer.

Note: Only open blinds when in sheer opacity.

