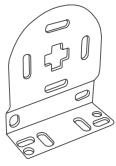
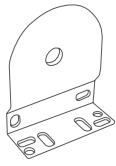


ROLLER BLIND FITTING INSTRUCTIONS

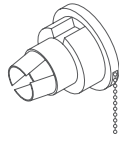
FITTING COMPONENTS



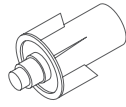
Control side bracket



Pin side bracket



Control side mechanism



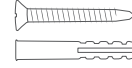
Pin side mechanism



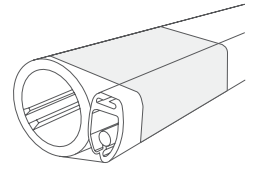
P-Clip



Chain joining connector



Screws: 5+
Rawl plugs: 5+



Roller blind
(will be packaged in shrink wrap)

FITTING HARDWARE



Metal tape measure



Drill



Philips head screwdriver



Stepladder



Drill bit

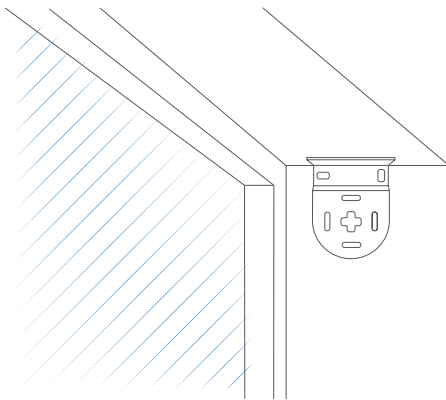


Pencil

WARNING

Do not free the roller blind with a knife or any object that may cause damage to the fabric.

1 POSITIONING BRACKETS

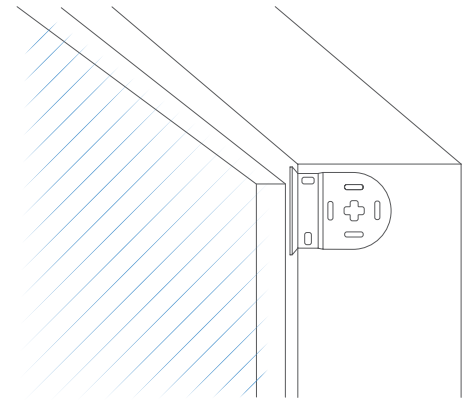


TOP MOUNT

Top mounting to an overhead surface such as the top of the window recess or the ceiling.

Choose how to mount the brackets.

Select the method of mounting that is most suitable for you.



FACE MOUNT

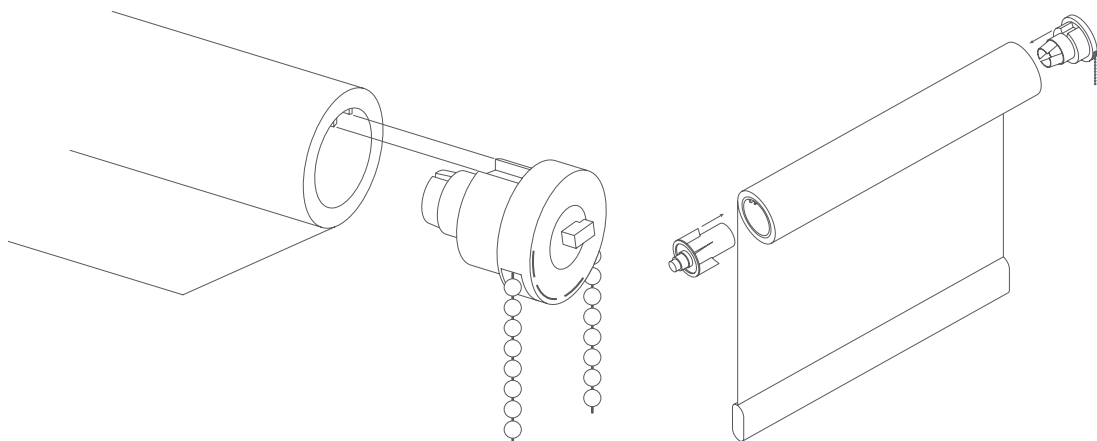
Face mounting to the face of outside the window frame.

PLEASE NOTE: DO NOT FIX BRACKETS TO THE SIDE WALL

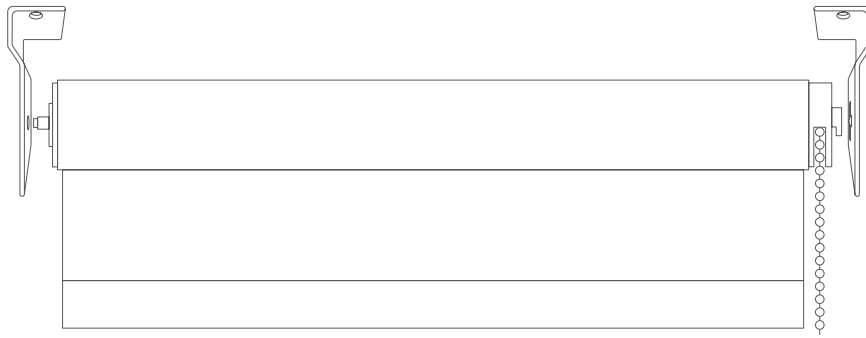
DECIDING WHERE TO MOUNT THE BRACKETS

Position brackets to allow free operation. Ensure that the position of the brackets is such that the roller blind can operate without coming into contact with any window, door handles, or any other obstacles. Loosely position both brackets on the blind and position in the window where the blind will be fitted. This will give you a better indication of where the brackets will go and make it easier to centre the blind. Note that the spring operating pin on the pin side mechanism should be slightly depressed (ideally halfway in) when the installation is complete.

2 ATTACHING THE OPERATING MECHANISM



Ensure you have positioned the blind the correct way, then choose the end of the roller blind you wish the controls to be on. Insert the control side mechanism onto that end of the tube, making sure the two ribs on the inside of the tube slot are inside the cut-out of the control side mechanism. At the other end of the roller blind insert the pin side mechanism.

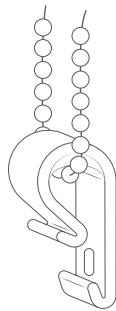
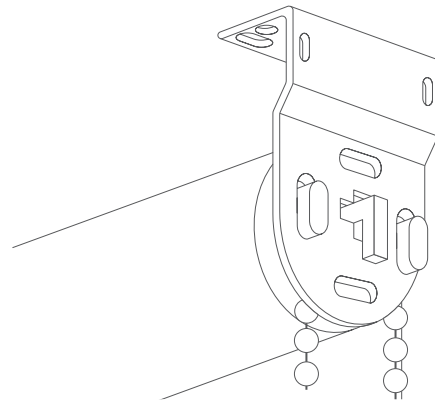


Place the control side bracket on the same side of the blind as the chain control mechanism. Mark the position of the first bracket, making sure that it is level and not twisted, as this will stop the blind operating correctly. Drill holes and fix bracket into place, using rawl plugs if fitting to a wall.

Insert one side of the blind in the mounted bracket. Then place the other bracket on the other end of the blind and mark its position. Ensure that the second bracket is marked so that it is level with the first. Drill the holes and fix the bracket in place, using rawl plugs if fitting to a wall.

MOUNTING YOUR BLIND

Insert the pin side of the blind into the pin side bracket. The pin end of the blind has a spring operation to facilitate mounting and un-mounting the blind. Insert the control mechanism into the control side bracket as shown. The central lug on the control side mechanism should point downwards and locate into the cross section of the bracket, hooking in place.



* Once installed, use the operating chain at the side to raise and lower your blind.

P-CLIP

The device must be installed at maximum distance possible from the control mechanism to prevent the looped cord/chain from becoming slack.

1. Ensure the control chain is inside the P-Clip.
2. Ensure the chain is taut and that the P-Clip is at the bottom of the loop and that the chains are able to manoeuvre properly.
3. Screw the tensioning device to a wall adjacent to the blind ensuring that the chain remains taut. The chain will be held permanently taut and under constant tension.



WARNING

Young children can be strangled by loops in pull cords, chains, tapes, and inner cords that operate the product. To avoid strangulation and entanglement, keep cords out of the reach of young children. Cords may become wrapped around a child's neck. Move beds, cots and furniture away from window covering cords. Do not tie cords together. Make sure cords do not twist and create a loop.



The assembly and installation of this product can be completed by non-professionals, in accordance with current trade and safety standards. Please consult a professional if any doubt exists.